

Compact, Discreet IR MicroDome with IP67 rating

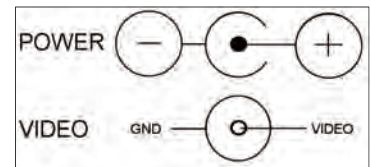
- Sony® Super HAD II Colour/Mono CCD
- IR LED illumination to 5M*
- Aluminium Housing finished in Black or Silver
- Easy installation on Ceiling or Wall
- 72°/360° coverage
- Flush mounted, Low Profile
- Vandal-Resistant



* For critical viewing applications additional lighting may be required

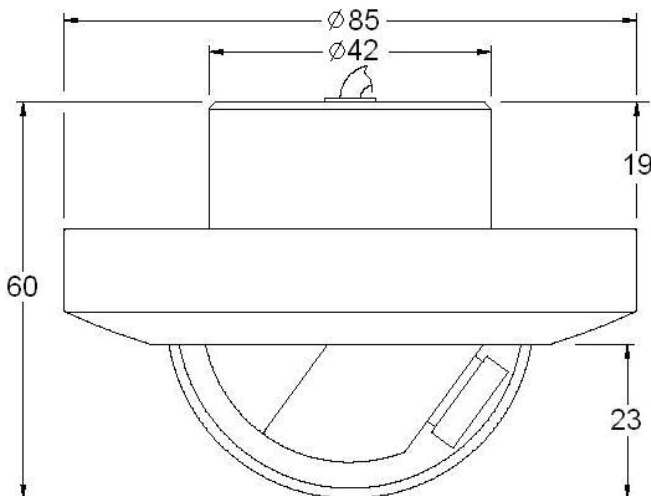
Model shown: D057(S)

Sensor	Sony® Interline CCD	Connections Power Power to the camera is supplied via the inline 12vDC mini-jack Video The video output lead is fitted with a BNC connector. A cable grommet is fitted for optional use when surface mounting. It requires a 13.5mm hole. The grommet can be cut off when not required
Exposure Control	Electronic	
Voltage	12vDC ±10%	
AGC	Auto	
Video Signal	Composite into 75Ω	
Operating Temp.	-10 °C to +50 °C	
Relative Humidity	85% max. non-condensing	
Housing	IP66 (Internal and external use)	



Mode	Sensor	Res.	Sensitivity	Power	Features	IR freq.	ORDER CODES
Colour/ Mono	1/3" Sony® Super HAD II CCD	560 TVL	0.00 Lux at F1.2 (LEDs on)	150mA (LEDs on)	Black powder-coat finish	850nm	D057
						940nm	D057-COV**
					Silver powder-coat finish	850nm	D057(S)
						940nm	D057(S)-COV**
Angled adaptor for surface mounting w/additional 12° tilt							D056-SMA / D056-SMA(S)
Allow adequate power capacity for surges on start up and on IRLED switching						Recommended minimum 250mA	

** -COV models are subject to reduced sensitivity and IR range



Angled mounting adaptor - **D056-SMA(S)**
 Avoids need for large aperture in mounting surface and adds 12° extra tilt.
 Please see over for dimensions

LENS
 Std fixed lens is 3.6mm.

Lens options are available -- please contact Sales Office for details.



Compact, Discreet IR MicroDome

- Unscrew the top cover (3).
- Attach the mounting base (4) to the wall or ceiling, wherever you want to install the camera. Locate a wall stud or ceiling joint and secure the base using the screws provided. The screws shown (5) are for attaching camera to mounting adaptor. Standard screws and plugs are supplied for mounting direct to ceiling/wall.
- Connect BNC video jack to the monitor and connect DC power jack to 12vDC power source.
- When picture shows on the monitor, loosen the knurled ring (6) for setting view (and focus-locking screw (7) if re-focussing is required). Adjust the camera view by moving the ball (8).
- Fix the ball in position by re-tightening the knurled ring (clockwise).
- Use the supplied Torx® key (1) and tamper screw (2) to lock the top cover.

